

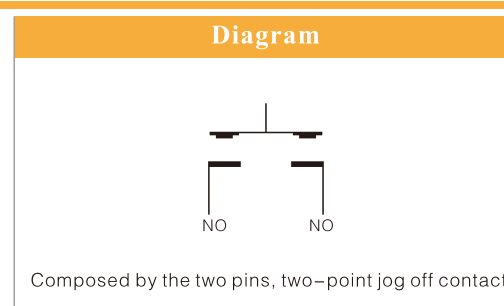
Model description

JA	○	★	/	■	▲	▼	/	◎
Code of series	The Front shape	Contact structure	Contact type	Crust material	Lamp type	Lamp color	Lamp voltage	
JA-12	F-Flat Round H-High Round B-Domed	10-1NO	Momentary blank Z-Locking	S-ainless steel N-Nickel-plated brass	D-Dot R-Ring Q-Power	R-RED G-GREEN B-BLUE Y-YELLOW W-WHITE O-ORANGE P-PURPLE	AV/DC 6V AV/DC 12V AV/DC 24V AV/DC 36V AV/DC 48V AV/DC 110V AV/DC 220V	

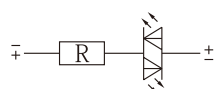
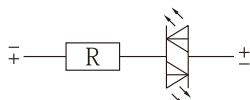
Switch Ratings

Project	Parameter			
Rated insulation voltage	AC250V			
Thermal current	3A			
Rated voltage	DC12V	DC24V	DC36V	AC220V
Resistive load	3	2	1.5	
Inductive load	1.2	0.8	0.6	

Switch structure description



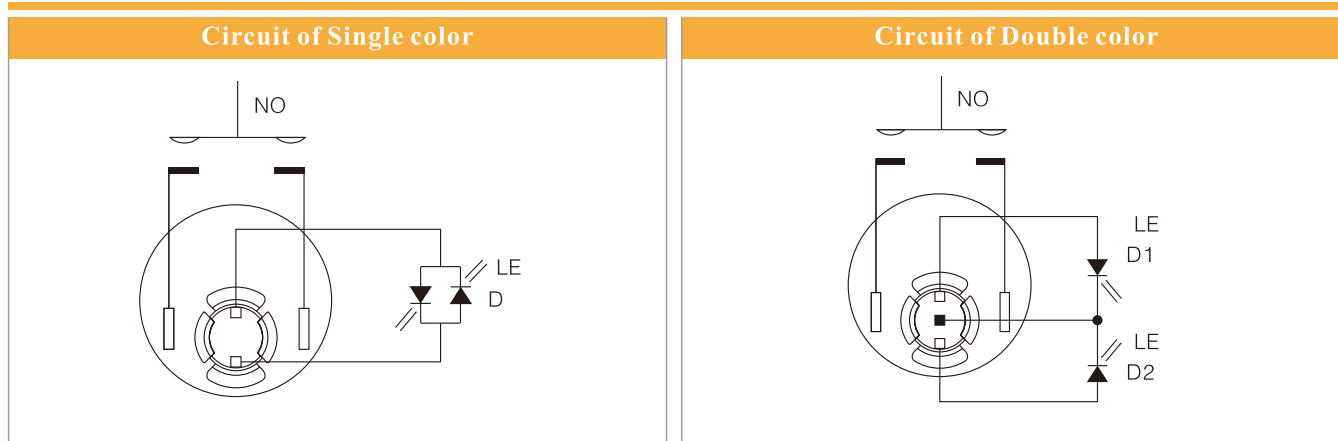
LED lamp

Project	Parameter	
LED type	High brightness	
Luminous color	R G B Y W O P	
Rated voltage	AC/DC6V、AC/DC12V、AC/DC24V、AC/DC36V、AC/DC48V、AC110V、AC220V	
Rated current	≤20MA	
Buck mode	Monochrome light emitting circuit diagram (not po-sitive or negative) 	Double color light emitting circuit diagram (dual path control) 
life	40,000hours(reference value)	

Other parameters

Project	Parameter	Project	Parameter
Switch type	Fast moving single contact	Explosion grade	for metal material
Contact resistance	$\leq 50m\Omega$	Operating pressure	About 2N
Insulation resistance	$\geq 1000m\Omega$	Operation travel	Connected to about 1.1mm, head office about 2mm
Insulation strength	1000VAC	Nut torque	5~14N.m
Ambient temperature	-20°C~+55°C	Material	Stainless steel/Nickel plated brass
Electrical life	More than 100,000 cycles	Button	Stainless steel/Nickel plated brass
Mechanical life	More than 500,000 cycles	Base seat	PA
Waterproof grade	IP65 IK08	Contact	Sliver alloy

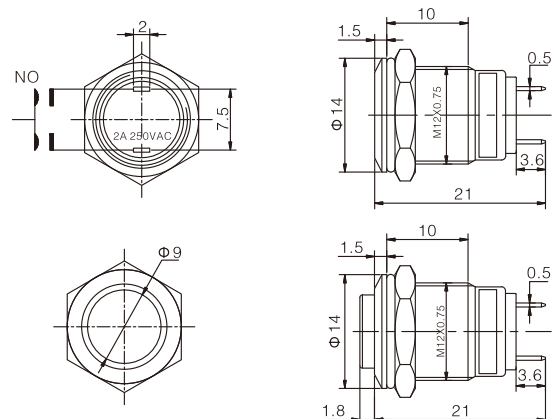
Pin description



Physical display Dimension and installation dimensions



- Panel Cutout: 12mm
- Front shape: Flat head/High head
- Contact Configuration: 1NO
- Operation Type: Momentary
- Crust Material: Nickel plated brass
- Switch Rating: 2A/DC36V
- Protection degree: IP65 IK08



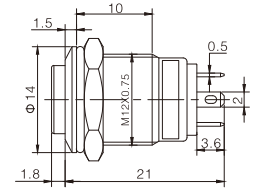
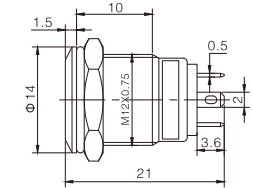
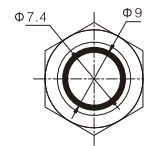
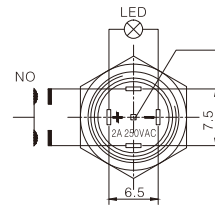
Physical display

Dimension and installation dimensions



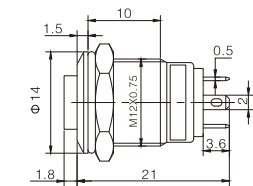
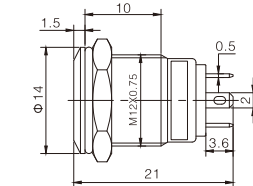
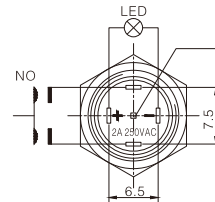
JA12H-10 ■/R/▲▼

Panel Cutout: 12mm
 Front shape: Flat head /High head
 Contact Configuration: 1NO
 Operation Type: Momentary
 Lamp types: Ring illuminated
 LED Color: **R G B Y W O P**
 LED Voltage: 3V, 5V, 6V, 12V, 24V
 36V, 48V, AC 110V
 AC 220V
 Crust Material: Nickel plated brass
 Switch Rating: 2A/DC36V
 Protection degree: IP65 IK08



JA12F-10 ■/Q/▲▼

Panel Cutout: 12mm
 Front shape: Flat head /High head
 Contact Configuration: 1NO
 Operation Type: Momentary
 Lamp types: Power symbol
 LED Color: **R G B Y W O P**
 LED Voltage: 3V, 5V, 6V, 12V, 24V
 36V, 48V, AC 110V
 AC 220V
 Crust Material: Nickel plated brass
 Switch Rating: 2A/DC36V
 Protection degree: IP65 IK08



JA12F-10 ■/D/▲▼

Panel Cutout: 12mm
 Front shape: Flat head /High head
 Contact Configuration: 1NO
 Operation Type: Momentary
 Lamp types: Dot illuminated
 LED Color: **R G B Y W O P**
 LED Voltage: 3V, 5V, 6V, 12V, 24V
 36V, 48V, AC 110V
 AC 220V
 Crust Material: Nickel plated brass
 Switch Rating: 2A/DC36V
 Protection degree: IP65 IK08

